



**I-87057**      **I-87057-G**  
 16-ch Isolated DO (5 ~ 30 V<sub>DC</sub>) Module

### Features

- Support Digital Outputs (Sink Type)
- Photocouple Isolation
- 3750 V<sub>DC</sub> Intra-module Isolation



### Introduction

I-87057 offers 16-channel sink type digital outputs. All channels features Photocouple isolation. I-87057 has 16 LED indicators for DO channel status. 3750 V intra-module isolation are standard.

### Applications

- Building Automation
- Machine Automation
- Remote Diagnosis
- Factory Automation
- Remote Maintenance
- Testing Equipment

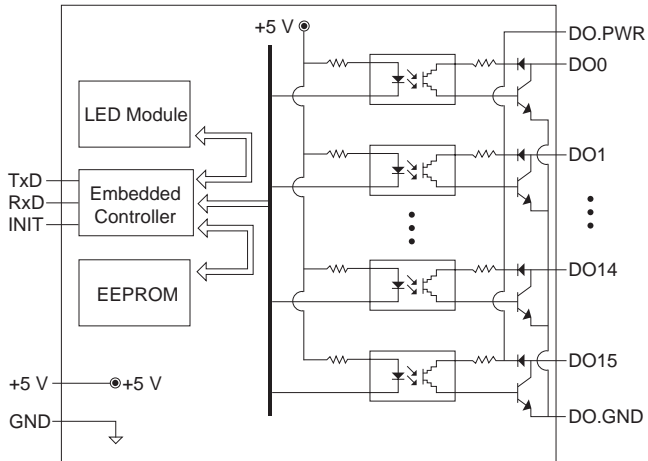
### System Specifications

CPU Module	
Watchdog Timer	Yes, Module (1.6 Seconds), Communication (Programmable)
Isolation	
Intra-module Isolation	3750 V <sub>rms</sub>
LED Indicators	
Status	1 x Power and Communication 16 x I/O
COM Ports	
Baud Rate	115200 bps
Data Format	N, 8, 1
Protocol	DCON
Power	
Power Consumption	0.9 W Max.
Mechanical	
Dimensions (W x L x H)	31 mm x 116 mm x 88 mm
Environment	
Operating Temperature	-25 ~ +75 °C
Storage Temperature	-30 ~ +75 °C
Humidity	5 ~ 95% RH, Non-condensing

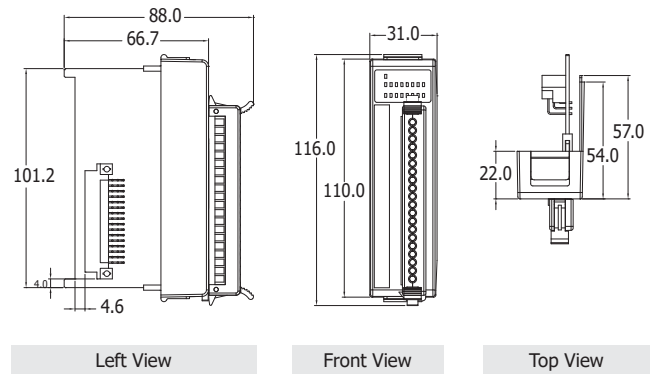
### I/O Specifications

Digital Output	
Channels	16
Type	Open Collector
Sink/Source (NPN/PNP)	Sink
Load Voltage	5 V <sub>DC</sub> ~ 30 V <sub>DC</sub>
Max. Load Current	100 mA/channel
Power-on Value	Yes
Safe Value	Yes

## Internal I/O Structure



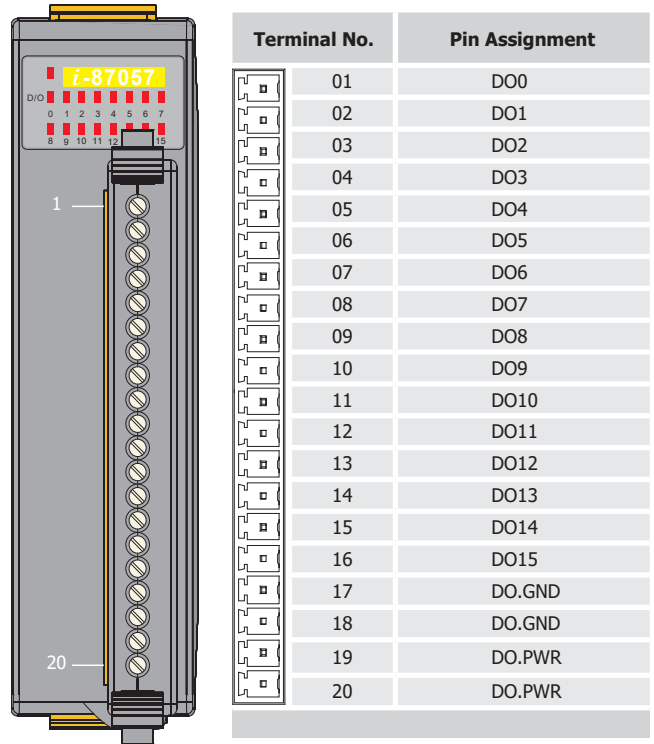
## Dimensions (Units: mm)



## Wire Connections

Output Type	ON State Readback as 1	OFF State Readback as 0
Digital Output (Resistance Load)		
Digital Output (Inductive Load)		

## Pin Assignments



## Ordering Information

<b>I-87057 CR</b>	16-ch Isolated DO (Sink, NPN, 5 ~ 30 V <sub>DC</sub> ) Module (Blue Cover) (RoHS)
<b>I-87057-G CR</b>	16-ch Isolated DO (Sink, NPN, 5 ~ 30 V <sub>DC</sub> ) Module (Gray Cover) (RoHS)